



OptiPac 7619F User's Manual

Manual No. 11-17618-01
Revision A

© Copyright 1997

Bering Technology, Inc.
1717 Dell Avenue
Campbell, CA 95008
(408) 364-6500

Important Notice

Copyright © 1997 by Bering Technology, Inc. All rights reserved. No part of this document may be reproduced in any way without the express written permission of Bering Technology, Inc.

Printed in the United States of America.

The information contained in this document is subject to change without notice. Every reasonable precaution has been taken in the preparation of this manual to insure its accuracy. However, Bering Technology, Inc. assumes no liability resulting from any errors or omissions in this manual, or from the use of the information contained herein, nor does it make a commitment to update the information contained herein.

OptiPac is a trademark of Bering Technology, Inc.
HP 1000, HP-UX, and HP Pascal are trademarks of Hewlett Packard Corp.

Important FCC Information

This peripheral device generates and uses radio frequency energy and if it is not installed and used properly, that is, in strict accordance with this manual, it may cause interference to radio and television reception. It has been type tested and found to comply with the limits for a Class-A computing device in accordance with the specifications in subpart J of part 15 of FCC Rules, which are designed to provide reasonable protection against such interference when operated in a commercial environment. However, there is no guarantee that interference will not occur in a particular installation. Operation of this equipment in a residential area is likely to cause interference and is up to the user, at his own expense, to take whatever measures may be required to correct the interference. You can test to see whether this equipment does cause interference with radio or television reception by turning the disk drive off and on. If it is causing interference, try to correct the problem by one or more of the following measures:

- Be sure you're using shielded interconnect cables.
- Reorient the receiving antenna.
- Relocate the drive with respect to the receiver.
- Move the receiver away from the disk drive, or vice versa.
- Plug the computer into a different outlet so that the computer and receiver are on different circuits.

If necessary, consult your dealer or an experienced radio/television technician for additional suggestions. You may also find a booklet prepared by the Federal Communications Commission helpful. It is entitled *How to Identify and Resolve Radio-TV Interference Problems*. Request Stock No. 004-000-00345-4, from the U.S. Government Printing, Washington, D.C., 20402.

Warning:

To prevent fire or shock hazard, do not expose the unit to rain or moisture. To avoid electrical shock, do not open the cabinet. Refer servicing to qualified personnel only.



The OptiPac product is classified as a CLASS 1 LASER PRODUCT.

A CLASS 1 LASER PRODUCT label is located on the top cover of the internal drive mechanism.

Printing History

If the Revision level of the manual does not change from one printing to the next, this indicates that the newer printing is a maintenance upgrade, i.e. typographic errors, page references, etc.

New revision levels of the manual indicate a new rewrite of the manual. This may include new installation instructions for a particular operating system, or a new ROM version of the OptiPac subsystem. If the new revision is because of a difference in the operating procedures for the system, the ROM version associated with the manual Rev letter will be listed in the ROM Ver column. You can determine the ROM version of your OptiPac by using the front panel LCD controls. See chapter 4 for details.

If you have upgraded your OptiPac to a later version than the last one listed in the following table, you should contact Bering Customer Service to determine the proper revision of the *OptiPac 7619F User's Manual* required for your OptiPac subsystem.

Date = Date this manual was printed
Rev = Revision level of this manual
ROM Ver = Applicable subsystem ROM level

Date	Rev	Rom Ver	Changes to manual
September 1997	A	B.5	Initial release

Warranty Statement

OptiPac products sold in the U.S.A. and Canada carry a standard one year warranty against defects in materials and workmanship.* During the warranty period, Bering will, at its option, repair or replace equipment which proves to be defective.

OptiPac cartridge media is warranted against defects for one year from the date of purchase. If the media becomes defective, Bering will replace it upon receipt of the defective media from the customer.

All repairs will be performed at the factory. Any other arrangement, such as on-site service, will be at your expense. Before any product is returned for repair, a Return Materials Authorization number (RMA#) must first be obtained from a Customer Service representative.

Customer Service
Bering Technology, Inc.
1717 Dell Avenue
Campbell, CA 95008

(408) 364-6500
FAX (408) 374-8309
EMail help@bering.com

The selection and use of media, supplies, and consumables is the customer's responsibility. Bering reserves the right to exclude from the warranty any damage caused by misuse of the product, unauthorized modification, shipping damage, non-Bering-approved media, interface, software, or cleaning supplies.

NO OTHER WARRANTY IS EXPRESSED OR IMPLIED, INCLUDING, BUT NOT LIMITED TO, THE IMPLIED WARRANTIES OR MERCHANTABILITY AND FITNESS FOR A PARTICULAR PURPOSE. BERING SHALL NOT BE LIABLE FOR CONSEQUENTIAL DAMAGES, DIRECTLY OR INDIRECTLY RELATED TO THE USE OR PERFORMANCE OF BERING PRODUCTS.

For products sold outside the U.S.A. and Canada, contact your local Bering distributor, representative, or dealer for warranty terms.

Configuration Settings

Use this table to record the configuration settings of your Bering OptiPac Magneto-optical disk drive subsystem.

Model _____

Serial Number _____

Time Zone _____

HP-IB Address _____

Format Switch on off

Read Burst _____

Write Burst _____

Auto Spin down/up Enabled Disabled

Spin down time _____

Spin up time _____

Table of Contents

1	<i>INTRODUCTION</i>	1
	Features	1
	Compatibility	2
	Magneto-Optical Technology	2
	Conventions in this Manual	3
	Unpacking	4
2	<i>INSTALLING THE DISK DRIVE</i>	5
	Quick-Start Procedure	5
	Connecting the OptiPac Drive	6
3	<i>OPERATING THE DISK DRIVE & CARTRIDGE</i>	7
	7619F Controls	7
	Loading a Cartridge	8
	New Cartridges	8
	Unloading a Cartridge	9
	Manual Cartridge Removal	9
	Write-Protecting a Cartridge	10
4	<i>OPTIPAC SYSTEM FUNCTIONS</i>	11
	System Menu	12
	Main Menu	13
	Change Ring	13
	Unload Cartridge	13
	Spin Down Disk	14
	Spin Up Disk	14
	Configurations	14
	Utilities	14
	Display Time and Messages	14
	Configurations Submenu	15
	Change HP-IB Address	15
	Change Format Switch	15
	Change Read Burst	16
	Change Write Burst	16
	Use 12 / 24 Hour Clock	16
	Set Time	16
	Set Date	17
	Utilities Submenu	18
	<i>RING UTILITIES SUBMENU</i>	19
	Change Ring	19
	Change Label	19
	Copy Ring	20
	Backup Rings	20
	Restore Rings	21
	Erase Ring	22
	Erase Rings	22

	FIXED DISK UTILITIES SUBMENU	23
	Show DISK Information.	23
	Spin Down / Up Disk.	23
	Verify Disk	24
	Format Disk	24
	Erase Disk.	25
	REMOVABLE DISK UTILITIES SUBMENU	27
	Show CARTRIDGE Information	27
	Unload Cartridge.	27
	Verify Cartridge.	28
	Format Cartridge.	28
	Erase Cartridge	29
	TESTS SUBMENU	30
	Test LCD Display.	30
	Certify Media	30
	Verify Media.	31
	Show Command Trace	32
5	<i>CARING FOR THE DISK DRIVE & CARTRIDGE</i>	33
	General Safeguards.	33
	Cartridge Care.	34
	Preventive Maintenance	34
6	<i>TROUBLESHOOTING & SERVICE</i>	35
	Before You Do Anything Else.	35
	Error Codes and LCD Messages	35
	Fuse Replacement.	35
	If You're Still Having Problems	36
A	<i>SPECIFICATIONS</i>	37
	2.6GB Cartridge Disk	37
	1 GB Fixed Disk.	39
	General.	40
B	<i>RACK MOUNT</i>	41
	Installation.	41
	<i>INDEX</i>	43

INTRODUCTION

Congratulations on purchasing what we think is the finest removable cartridge system on the market. Bering OptiPac drives are built for years of reliable service. We're sure you'll agree as you begin to work with your drive.

Features

The Bering OptiPac 7619F subsystems is a multi-function magneto-optical removable cartridge disk drive with a 1GB fixed disk compatible with Hewlett-Packard business, technical, and personal computers, such as the HP1000. (In this manual we refer to the Bering OptiPac disk drive as *OptiPac* and all HP systems as *computer* unless otherwise indicated.)

The OptiPac 7619F emulates the HP 7906H disk drives, making it plug compatible with computer systems supporting the HP 7906H interface and protocol.

These drives support both Magneto Optical (MO) and Write-Once technologies. By placing a multi-function cartridge in the drive, it automatically becomes a Write-once drive.

Note: The Bering OptiPac 7619F Multi-function drive supports only Write-once media conforming to the Continuous Composite Write-Once (CCW) standard, which conforms to ISO/IEC DIS 11560; ANSI X3.220-1992. At the time of this writing, Hewlett Packard operating systems do not support Write-Once operations.

Serving a wide range of storage needs, the OptiPac series come in the following configuration with HP7906H emulation. This provides a plug and play solution to the aging inventory of HP7906H disk drives.

- 7619F – a 2.6GB Magneto-Optical / Multi Function Cartridge drive with a 1.0GB fixed disk

The OptiPac 7619F subsystem uses a 5.25-inch removable cartridge which can store 2.6GB (1.3GB/side) of data. This means:

- Your storage capacity is limited only by the number of cartridges you use.
- Your data is portable and secure. Just remove the cartridge from the drive and take it with you, or store it in a safe place.
- Your data cartridge is protected in a durable lexan case.
- Your OptiPac can be used to back up the data on fixed disks if your backup software supports that option.
- Each cartridge contains multiple rings, so physical removal is not required to change to another ring.

The OptiPac provides fast, reliable storage that's always on hand. The

installation procedure is almost identical for all models. No software or hardware modifications are required. All OptiPacs 7600F series support the latest HP AMIGO disk command sets.

▲ DANGER:

Use of the OptiPac other than as prescribed in this manual may result in exposure to hazardous invisible laser radiation if the case is open during operation. Avoid direct exposure to laser radiation. Do not operate the OptiPac while the cover is removed.

Compatibility

The OptiPac 7619F drives can read and write to 1.3GB MO cartridges, as well as the 2.6GB cartridges. The OptiPac 7619F can read, but not write to, 650MB cartridges.

The 650MB cartridges have a capacity of 325MB/side; the 1.3GB cartridges have a capacity of 650MB/side. The 2.6GB cartridge has a capacity of 1.3GB/side.

**Magneto-Optical
Technology**

All of the Bering OptiPac disk drives are based on magnetic and optical technology. Like hard disks, a Magneto-Optical drive writes data to the cartridge using a strong magnet that changes the magnetic fields at specific locations from 1's to 0's and vice versa. But because of the polycarbonate surface of the cartridge, the magnet is not powerful enough to change the polarity of a bit by itself. This is where the optical part of the write process comes in. In order for the magnet to change the polarity of a bit, the area must be heated to a high temperature by a focused, fine-point laser.

Because of the Polycarbonate substrate on the cartridge, data stored on Magneto-optical cartridges is highly secure for a long period of time. The estimated storage life of data stored on this media is greater than twenty years. Also the magnetic head does not "float" next to the surface such as fixed disks. This means it is virtually impossible for the head to crash.

Conventions in this Manual

We'll use the following conventions to make the information in this manual more clear and predictable:

- **Keys** on the keyboard are indicated by capital letters enclosed in square brackets, e.g., [ENTER], regardless of whether the characters on your keys are actually capitalized. On the other hand, **buttons** on the OptiPac are indicated by underlined capital letters alone followed by the word *button*, e.g., ENTER button.
- A monospaced type font, like `this`, is used to convey text you should see on your screen, e.g., "you'll see: `Welcome!` on your monitor."
- The same monospaced font in contrast (either bold or regular) to the surrounding text, like `this`, is used to present the exact characters or keys you are to type or press, e.g., "type `UTIL` and press [`ENTER`] to continue." However, these keystrokes will not be typographically differentiated if they are conditional or theoretical. That is, if you have the option of making one of several entries or we are speaking of hypothetical situations, e.g., "If you type Y and press [ENTER] the disk will be reformatted, but if you type N and press [ENTER] you will exit the program."
- A bold font, like **this**, indicates text you should see on the LCD. The bold font will otherwise follow the conventions herein.
- Commands, program, utility, and file names are capitalized in body text to distinguish them from the rest of the text. However, when in a command line, they will be represented in lower case letters unless upper case (capital) letters are actually required, e.g.:
in body text: "... create a LIF volume using the LIFINIT command."
to be typed: `lifinit /dev/rdisk/B7619`
- Italics in any type face, *like this*, have a limited number of possible meanings:
Words as words, letters as letters, or numerals as numerals, e.g., "the word *enter* can be confused with the key on your keyboard, therefore we will use *type* in its place."
Titles of books, booklets, or disks, e.g., *Bering OptiPac 7619F User's Manual*
Symbolic of variable words, characters, or numerals. That is, something must be in the variable's place, but the exact contents vary with different situations and cannot be specified without knowing a particular situation. *Variable* is not synonymous with *optional*. Frequently the letter(s) *n* (for numerals), or *x* (for words or characters) are used to hold the place of the variable, e.g., "the program will respond that there are *n* widgets."

Unpacking

Carefully unpack your OptiPac near the spot where you want to set it up, noting the packing method as you go. Save the packing materials, they'll come in handy if you ever want to ship the unit.

Besides this manual, you'll find:

- The OptiPac
- A removable data cartridge
- A power cable
- A warranty card

If any item is missing, please call your dealer or call Bering Customer Service at (408) 364-6500.

INSTALLING THE DISK DRIVE

This chapter describes the installation procedure for the OptiPac and is divided into two sections. The “Quick-Start Procedure” section enables experienced users to begin operation right away. The “Connecting the OptiPac Drive” section helps new users connect the disk drive before going on to the next chapter for additional operating instructions.

Quick-Start Procedure

This section describes the quick-start procedure to set up the OptiPac for use on a HP 1000 system. Most of the parameters are already set at the factory. There may be some adjustments necessary before the OptiPac can operate in your particular environment. Refer to Chapter 4 for detailed instructions.

The default parameter settings are as follows:

Time:	Pacific time
Date:	current date
HP-IB address:	0

1. Turn off your computer and connect the OptiPac.
If necessary, refer to the next section in this chapter.
2. Turn on the OptiPac and wait for the self-test to end.
When the test ends without incident, the time and date should be displayed on the front panel LCD and the clock should be running.
3. Check the time and date. Adjust the clock if required.
4. Check the **HP-IB address** in the configuration function. Make sure all devices on the HP-IB have a unique address.
5. Load a cartridge.
6. Format the cartridge from the Removable Utilities menu. This step is not necessary if the cartridge was previously formatted.
7. Format the fixed disk from the Fixed Disk Utilities menu.
8. Turn on your computer.
9. Begin using the OptiPac.

Connecting the OptiPac Drive

▲ CAUTION:

These instructions are for connecting an OptiPac 7619F model to an HP-IB based computer with the OptiPac HP-IB connector.

Turn off your computer and unplug the power cord from the wall outlet. Disconnect any other cables attached to the back panel of your computer that may be in your way.

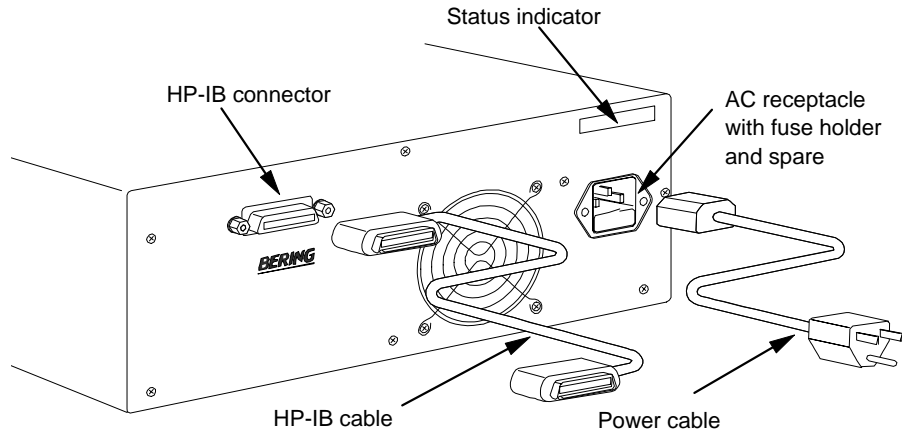


Figure 2-1: Connecting the OptiPac to an HP-IB computer

1. Turn off your computer and the OptiPac drive.
2. Connect one end of the HP-IB cable to the HP-IB connector on the back of the computer and the other end to the HP-IB connector on the back panel of the OptiPac. Tighten the thumb screws by hand.
3. Connect the power cable to the back of the OptiPac. Make sure there is at least one inch of space around the back and two inches around the sides of the drive.
4. Plug the OptiPac and the computer into three-pronged (grounded) electrical outlets or a surge protector.

Be sure that the outlets actually are grounded — that the third prong really is connected to a ground. The OptiPac should be on the same circuit as your computer.

▲ CAUTION:

Make sure that other equipment or appliances which might generate electrical noise or a power surge (such as electric typewriters or heaters) are on separate circuits.

5. Turn on the OptiPac, the computer, and any other peripherals.

OPERATING THE DISK DRIVE & CARTRIDGE

7619F Controls

Figure 3-1 illustrates all controls and indicators required for operating the OptiPac 7619F.

1. Press the **POWER** button on the front panel of the OptiPac.

The LCD will display a self-test message and the disk drive model number. This operation should take less than a minute. If a cartridge is loaded, a read test will be performed. After the self-test is successfully completed, the time and date will be displayed on the LCD.

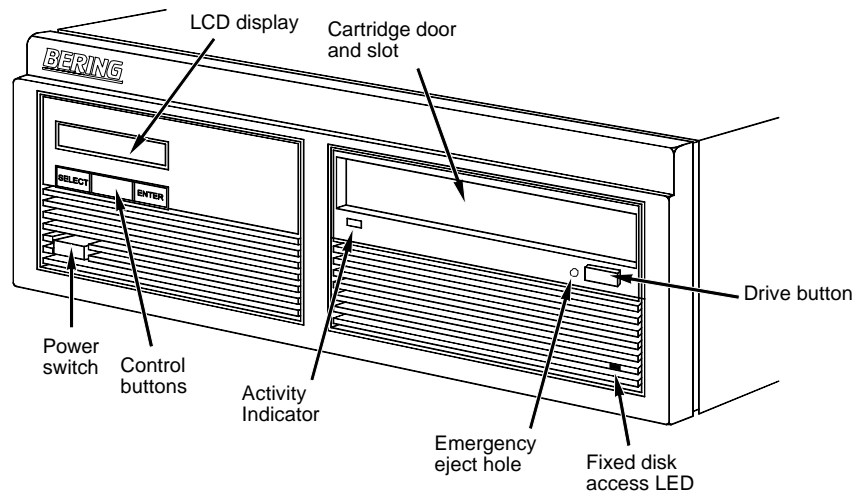


Figure 3-1: OptiPac 7619F front panel

Activity Indicator

The activity LED remains lit when a cartridge is loaded or unloaded, during the power-up self-test sequence, and anytime the drive is being accessed. It also remains lit for approximately two seconds when the cartridge is being ejected.

Drive Button

The drive button is always locked out. The cartridge will not eject when this button is depressed because the OptiPac controller has issued the SCSI command "Prevent/Allow Medium Removal." The cartridge must be ejected using the **Unload cartridge** function in the LCD main menu. See Chapter 4 for details.

Emergency Eject Hole

In an emergency, such as a power outage, the cartridge can be manually ejected by inserting an eject tool into this opening. Read the complete instructions in the section titled "Manual Cartridge Removal."

Fixed Disk Access Indicator

The fixed disk access indicator is on the lower right side of the front panel. When ever the fixed disk is accessed the indicator will flash on and off.

Loading a Cartridge

Loading a data cartridge is very easy. There is an A and B side on the 5.25 inch cartridges. The reverse side is accessed by ejecting the cartridge and inverting it prior to inserting it in the drive.

1. Make sure the OptiPac is turned on before you load a cartridge.
2. Remove the cartridge from the plastic storage case.

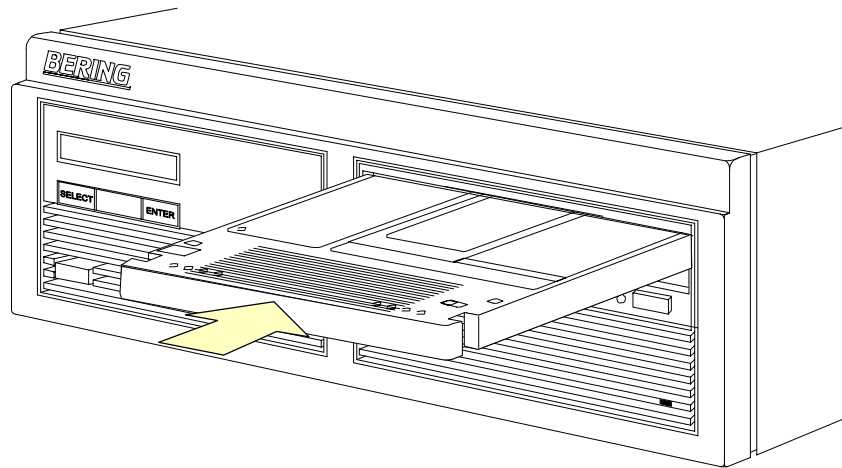


Figure 3-2: Loading a cartridge in the 7619F

3. Insert the cartridge into the drive with either the A or B side up, the write-protect switch toward you and the metal shutter facing the drive.

As you do so, the drive will pull the cartridge inside and seat it in the drive slot. The drive motor will then spin the cartridge up to speed in about five seconds as the access light on the front panel flashes. Once the drive reaches the proper speed, the access light will turn off.

▲ CAUTION:

Never move or transport the OptiPac with a cartridge in the drive, operating or not.

New Cartridges

The first time a cartridge is used it must be formatted from the Removable Disk Utilities menu. Using an unformatted cartridge can cause loss of data. You should indicate the date on the label when a cartridge is formatted. Remember to format both sides of the new cartridge. Most cartridges are preformatted at the factory and do not require formatting. The LCD will indicate when an unformatted cartridge has been inserted into the drive.

Unloading a Cartridge

When you're finished using your OptiPac be sure to eject and store the cartridge properly before shutting down your computer.

▲ CAUTION:

Eject the cartridge before you turn off the OptiPac. Otherwise the media is vulnerable to contamination which may damage the cartridge or the data on it.

The OptiPac must be turned on before you can unload a cartridge.

1. With the time and date function displayed on the LCD, push the **SELECT** button on the front panel.

The **Unload cartridge** function will be displayed.

2. Press the **ENTER** button to execute the command.

The cartridge will pop out part way.

3. Remove the cartridge carefully and place it in the protective plastic storage case immediately.

Note:

The cartridge must be pulled completely out of the drive before it is inserted again. If a cartridge is forced back into the drive without pulling it out it, damage to the drive may occur.

Remember to label and date the cartridge for future reference. Do not mark on labels with a graphite pencil. The graphite dust may contaminate the disk surface. Refer to Chapter 5, "Caring For The Disk Drive & Cartridge," for further information on cartridge care.

Manual Cartridge Removal

If you can't get the cartridge to eject using any other method or if there has been a power failure, use the following as a last resort. **Use this procedure only when absolutely necessary.**

Use a small screwdriver or large paper clip to manually eject the cartridge.

1. Disconnect the power to the drive.
2. Insert the eject tool into the small round hole in the front panel of the cartridge drive.
3. Press inward until the cartridge is ejected through the front of the drive.

The cartridge will then pop out of the drive slot.

▲ CAUTION:

Do not reach into the drive to get the cartridge. Wait until the cartridge is ejected through the front of the drive before removing it. Premature removal of the cartridge could damage the drive.

Write-Protecting a Cartridge

You may want to write-protect one or both sides of a cartridge after removing it from your OptiPac. Write-protection prevents accidental erasure or overwriting data on the removable cartridge.

The write-protect switch for the side which is facing up is the plastic slide switch in the lower left corner of the cartridge.

1. To write-protect a side of the cartridge, slide the appropriate tab toward the left edge as shown in Figure 3-3.

When you can see through the circular hole to the right of the tab, data cannot be written to that side of the cartridge and existing data cannot be erased from that side by ordinary means.

2. To disable write-protection, slide the tab toward the center of the cartridge so the hole is closed.

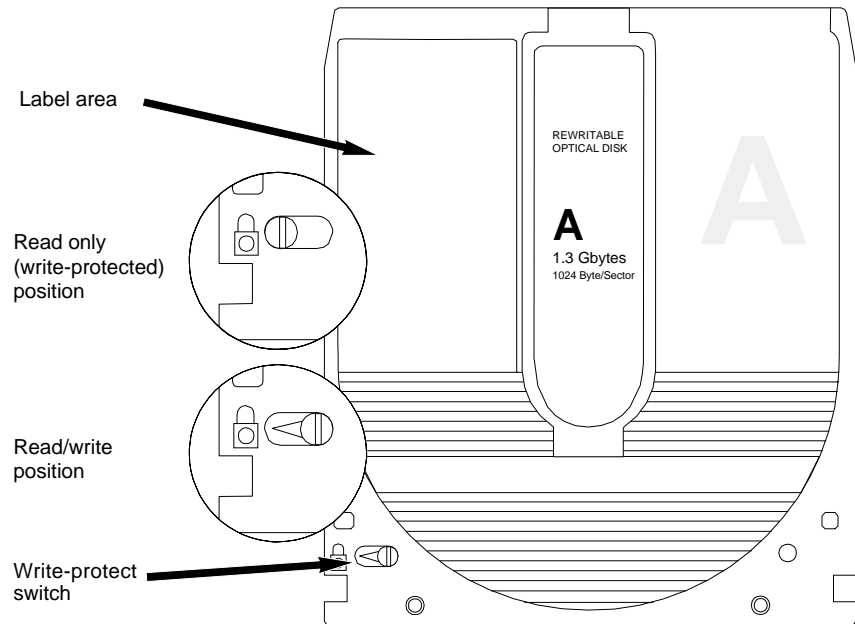


Figure 3-3: Cartridge write-protect switch

Note: The appearance of cartridges varies between manufacturers, but the location of the write protect switch should always be the same.

This chapter describes the OptiPac configuration and operating procedures. The OptiPac 7619F features a push-button operation for performing configuration and operating procedures. This procedure is based on a hierarchical structure of system functions displayed on the disk drive's LCD. All procedures can be performed using the two front panel push-button controls: **SELECT** and **ENTER**.

These instructions should be used in conjunction with your specific HP computer's configuration procedure given in your operating system manuals.

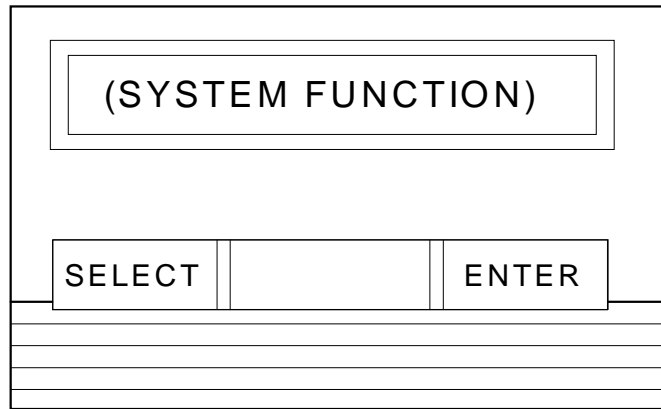


Figure 4-1: Front panel LCD and push-button controls

All system operations are performed by first selecting a function and then entering it for execution. The **SELECT** button enables you to scroll through all the available system functions and select desired choices. The **ENTER** button enables you to execute the chosen function.

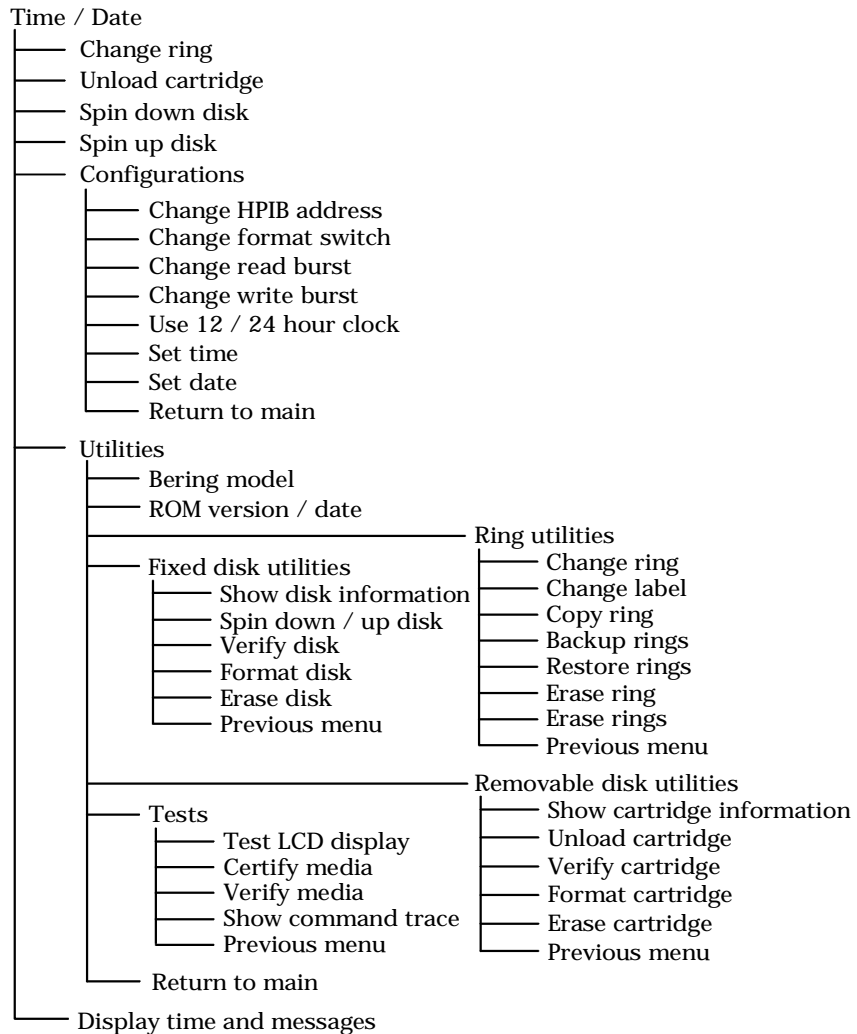
- To select a system function, press the **SELECT** button until the desired function appears on the LCD.
- To execute the chosen function or display its options, press the **ENTER** button.
- If you want to abort the current operation, press the **SELECT** and **ENTER** buttons simultaneously.

The abort function is allowed only during certain operations.

- To scroll or step backward in a menu, press and hold the **SELECT** button first and then the **ENTER** button.

System Menu

This section contains a menu structure of the commands which can be accessed from the front panel LCD display and controls.



Main Menu

The default display on the front panel LCD is the time/date. When the **SELECT** button is pressed, the first choice of the Main menu will be displayed. You can scroll the Main menu by repeatedly pressing the **SELECT** button. To execute the selected function or to enter the sub-menu, press the **ENTER** button. The time/date display will look appear similar to the following display when the system is first powered on and when the unit is on-line:

```
14:15:12AM 10/12
Ring 04 LABEL
```

Note: Attempting to perform any function on a new and/or unformatted cartridge will cause the following message to display.:

```
Media not
initialized!
```

The cartridge must be formatted from the Removable Utilities menu before it can be used. Remember, you must format both sides of a cartridge.

The following options are available from the Main menu:

```
Change ring
Unload cartridge
Spin down / up disk
Configurations
Utilities
Display time and messages
```

Change Ring

This function allows you to change the current ring. When you return to the main menu the current ring will be displayed. Rings that begin with 'H' indicate a ring on the hard disk. Ring H00 emulates the hard disk in a 7906H. All other rings emulate removable disks.

1. Press the **SELECT** button until the **Change ring** function is displayed on the Main menu.
2. Press **ENTER** to select this option.
3. Use the **SELECT** button to scroll through the ring selections until you see the desired ring, then press the **ENTER** button.

Unload Cartridge

Use this function to unload the cartridge when the Drive button is disabled (default setting).

1. Use the **SELECT** button to choose the function you want to initiate from the Main menu:

```
Unload cartridge
```

2. Press the **ENTER** button.

If the drive button is disabled in the Configurations menu, a request is

sent to the host system for permission to remove the cartridge. If the system grants the request or if there is no response for one second, the cartridge will be ejected. This is required for some operating systems and also prevents accidental ejection during cartridge use.

If the cartridge is in use by the operating system, the following message will appear.

**Cartridge in use
UNLOAD IT! (NO)**

3. Press the **SELECT** button to select **Yes**, if need be; when **Yes** is selected, press the **ENTER** button to eject the cartridge.

Spin Down Disk

This function will spin the drive(s) down. Using this function will help prevent wear on a drive which is constantly powered on. These functions will affect the optical drive as well as any fixed disks in the OptiPac.

1. Press the **ENTER** button to execute the displayed function.
The drive(s) will then spin down.

Spin Up Disk

This function will spin the drive(s) up. If the drive is already spinning, this function will have no effect.

1. Press the **ENTER** button to execute the displayed function.
The drive(s) will then spin up.

Configurations

This function sets the HP-IB address, changes format switch, selects the 24 hour clock format, and sets the date and time. See the "Configurations Submenu" section for detailed information.

Utilities

This function shows cartridge/disk information; verifies, and formats the cartridge, one side at a time; formats the fixed disk; erases cartridge data; performs ring functions, and performs test functions. Refer to the "Utilities Submenu" section for detailed information.

Display Time and Messages

This function exits the Main menu and displays the current date, time, and system messages.

Configurations Submenu

This function sets the HP-IB address, changes the format switch, and sets the date and time.

1. Press the **ENTER** button when the **Configurations** function is displayed on the Main menu.

The Configurations submenu will offer these functions:

Change HP-IB address
Change format switch
Change read burst
Change write burst
Use 24 / 12 hour clock
Set time
Set date

2. Press the **SELECT** button to scroll through the functions.

To return to the Main menu, press the **ENTER** button when you see **Return to main**.

Change HP-IB Address

This function sets the HP-IB address of the OptiPac. The values range from 0 to 7. When selecting the HP-IB address, make sure each device on the same HP-IB has a unique address.

1. Press the **ENTER** button to execute this function.

The following message will appear:

HP-IB address = 0

2. Press the **SELECT** button to scroll through all the choices, then press the **ENTER** button to select the correct address.

The OptiPac will reset to the new value.

Change Format Switch

This emulates the switch on the front panel of a HP 7906H disk drive. Setting the switch to on enables formatting of the current ring from the computer.

To change the setting of the format switch between on and off follow these instructions:

1. Press the **ENTER** button when the Configurations function is displayed on the Main menu.
2. Use the **SELECT** button to scroll through the selections until you see **Change format switch**.
3. Press the **ENTER** button to select this option.

The LCD display will now show the following message:

**Change format
switch (on)**

4. Press the **ENTER** button to select this option or the **SELECT** button to scroll between off and on and then press **ENTER** at the desired setting.
- Change Read Burst** This allows you to change the read burst transfer rate. We do not recommend changing this to any value other than 12K.
1. Press the **ENTER** button when **Change read burst** appears in the Configurations menu.
 2. Press the **SELECT** button to cycle through the values.
 3. When the desired selection is displayed, press the **ENTER** button to choose that value.
- Change Write Burst** This allows you to change the write burst transfer rate. We do not recommend changing this to any value other than 12K.
1. Press the **ENTER** button when **Change write burst** appears in the Configurations menu.
 2. Press the **SELECT** button to cycle through the values.
 3. When the desired selection is displayed, press the **ENTER** button to choose that value.
- Use 12 / 24 Hour Clock** This function changes the clock display on the front panel LCD from a 12 hour clock to a 24 hour clock or vice versa.
1. Press the **ENTER** button until the **Use 12 / 24 hour clock** function is displayed on the Configurations menu.
 2. Press **ENTER** to select this option.
 3. Use the **SELECT** button to toggle between **12** and **24**. Then press the **ENTER** button when the desired option is displayed.
- Set Time** This function allows you to change the time.
1. With the **Set time** function displayed, press the **ENTER** button.
You'll see:
Set time
3:15:27 PM
The actual time displayed will vary. The hour field will be blinking.
 2. Press the **SELECT** button to increment the hour.
Holding the **SELECT** button will cause the hour to increment (through twelve hours) continuously. If you continue to hold down the **SELECT** button, incrementing will speed up.
To decrement the hour, press and hold the **SELECT** button, and then press the **ENTER** button. Again, decrementing will be continuous and speeds up if you hold the buttons down.
 3. When the correct hour is displayed, press the **ENTER** button.

4. **SELECT** and **ENTER** the correct minute setting just as you did the hour.
5. **SELECT** and **ENTER** the correct setting for seconds.
6. **SELECT** and **ENTER** the correct AM/PM setting.

You will now be returned to the **Set time** option.

Set Date

This function allows you to change the date.

1. With the **Set date** function displayed, press the **ENTER** button.

You'll see:

Set date
Wed Feb 12, 1992

The actual date displayed will vary. The day field will be blinking.

2. Press the **SELECT** button to increment the day.

Holding the **SELECT** button will cause the day to increment (through twelve hours) continuously. If you continue to hold down the **SELECT** button, incrementing will speed up.

To decrement the day, press and hold the **SELECT** button, and then press the **ENTER** button. Again, decrementing will be continuous and speeds up if you hold the buttons down.

3. When the correct day is displayed, press the **ENTER** button. The month field will start to blink.
4. **SELECT** and **ENTER** the correct month setting just as you did the day.
5. **SELECT** and **ENTER** the correct date setting.
6. **SELECT** and **ENTER** the correct year setting.

After you have made this setting, you'll be returned to the **Set date** option.

Utilities Submenu

This function shows cartridge information; locks and unlocks, verifies, and formats the cartridge, one side at a time; copies and erases cartridge data; formats and verifies the fixed disk; and performs test functions via these options:

- **MODEL NUMBER** — Displays the model number of the OptiPac.
- **ROM VERSION** — Displays the firmware version number and release date.
- **RING UTILITIES** — Changes rings; changes ring labels, copies rings, backs up and restores rings, and erases rings. Refer to the “Ring Utilities Submenu” section for detailed information.
- **FIXED DISK UTILITIES** — Shows disk information; verifies, and formats the disk. Refer to the “Fixed Disk Utilities Submenu” section for detailed information.
- **REMOVABLE DISK UTILITIES** — Shows cartridge information; unloads, verifies, and formats the cartridge, one side at a time. Refer to the “Removable Disk Utilities Submenu” section for detailed information.
- **TESTS** — Tests the LCD, verifies, and certifies media. Refer to the “Test Submenu” section for detailed information.

To access and exit these utilities ...

1. Press the **ENTER** button when the **Utilities** function is displayed on the Main menu.

The Utilities submenu appears and displays the following functions:

Model number
ROM version
Ring utilities
Fixed disk utilities
Removable disk utilities
Tests
Return to main

2. Press the **SELECT** button to scroll through the information or functions.
3. When you see **Return to main** , press the **ENTER** button to return to the Main menu.

RING UTILITIES SUBMENU

This function changes rings, labels rings, copies rings backs up and restores groups of rings and erases rings.

1. Press the **ENTER** button when the **Ring utilities** function is displayed on the Utilities submenu.

The Ring utilities submenu then appears displaying these functions:

Change ring
Change label
Copy ring
Backup rings
Restore rings
Erase ring
Erase rings
Previous menu

2. Press the **SELECT** button to scroll through the information or functions.
3. You can return to the **Utilities** menu by pressing the **ENTER** button when you see Previous menu.

Change Ring

This function allows you to change the current ring. When you return to the main menu the current ring will be displayed. Rings that begin with 'H' indicate a ring on the hard disk. Ring H00 emulates the hard disk in a 7906H. All other rings emulate removable disks.

1. Press the **SELECT** button until the **Change ring** function is displayed.
2. Press **ENTER** to select this option.
3. Use the **SELECT** button to scroll through the ring selections until you see the desired ring, then press the **ENTER** button.

Change Label

This function allows you to change the label of the current ring. The main menu will display the current ring label. The label can be up to seven characters in length.

1. Press the **SELECT** button until the **Change Label** function is displayed on the Ring utilities menu.

2. Press the **ENTER** button to select this option.

The current label will display.

3. Press the **SELECT** key to scroll through the characters (A-Z, 0-9) for the desired digit. A space is represented by an underscore character.
4. Press the **ENTER** key to select a letter and go to the next digit.

Copy Ring

This function allows you to copy any ring to any other ring, except the H00 ring, which cannot be copied to or from. This function can be used to declassify a ring by copying a declassified ring to it. The label of the source ring will also be copied to the target ring.

1. Press the **SELECT** button until the **Copy ring** function is displayed on the Ring utilities menu.
2. Press **ENTER** to select this option.
3. Use the **SELECT** button to scroll through the copy from ring selections until you see the desired source ring, then press the **ENTER** button.
4. Use the **SELECT** button to scroll through the copy to ring selections until you see the desired target ring, then press the **ENTER** button.

You will see a display similar to this:

```
H02 Label to
03 Label No
```

5. Press the **SELECT** button to change **No** to **Yes** and press the **ENTER** button to start the copy process.

Backup Rings

This function allows you to backup a group of rings from one location to another. The destination can be from one drive to the other or from one area of a drive to another area of the same drive. This function begins by asking for the beginning, or first ring, of the group to be backed up, then asks for the beginning, or first ring, where the group of rings is to be backed up to, and then asks for the number of rings to be backed up.

The default values backup the highest numbered rings on the fixed disk equivalent to the number of rings on the cartridge (100 on the 2.6GB cartridge), so rings H00 through H98 will be backed up.

1. Press the **SELECT** button until the **Backup rings** function is displayed on the Ring utilities menu.
2. Press **ENTER** to select this option

You will see the following display:

```
From ring
H00
```

3. Press the **SELECT** button to scroll through all of the rings and press **ENTER** when the desired beginning or first source ring is displayed.

You will see a display similar to the following:

```
To ring
00
```

4. Use the **SELECT** button to scroll through the rings and press **ENTER** when the desired beginning or first target ring is displayed.

You will see a display similar to the following:

```
H00          to
00 99 rings NO
```

5. Press the **SELECT** button to toggle between **Yes** and **No** on the display and press **ENTER** when the correct selection is displayed.

If you selected Yes, the selected number of rings will be backed up from the source rings to the target rings.

Restore Rings

This function allows you to restore a group of rings from one location to another. The destination can be from one drive to the other or from one area of a drive to another area of the same drive. This function begins by asking for the beginning, or first ring, of the group to be restored, then asks for the beginning, or first ring, where the group of rings is to be restored to, and then asks for the number of rings to be restored.

The default values will restore all rings on the cartridge (100 on 2.6GB cartridge, 64 on 1.3GB cartridge) to the last rings of fixed disk.

1. Press the **SELECT** button until the **Restore rings** function is displayed on the Ring utilities menu.
2. Press **ENTER** to select this option

You will see the following display:

```
From ring
00
```

3. Press the **SELECT** button to scroll through all of the rings and press **ENTER** when the desired beginning or first source ring is displayed.

You will see a display similar to the following:

```
To ring
H00
```

4. Use the **SELECT** button to scroll through the rings and press **ENTER** when the desired beginning or first target ring is displayed.

You will see a display similar to the following:

```
00          to
H00 99 rings NO
```

5. Press the **SELECT** button to toggle between **Yes** and **No** on the display and press **ENTER** when the correct selection is displayed.

If you selected Yes, the selected number of rings will be restored from the source rings to the target rings.

Erase Ring

This function will erase the current ring by performing a DOD wipe delete. This wiping of data is done by first filling the sectors with the hexadecimal characters FF and 00 three times each, then to write the hexadecimal character F6 once. This method prevents any traces of data from being read, even with sophisticated techniques.

1. Press the **SELECT** button until the **Erase ring** function is displayed on the Ring utilities menu.
2. Press **ENTER** to select this option.
3. Press the **SELECT** button to toggle between **Yes** and **No** and press the **ENTER** button when your selection is displayed.

A display similar to the following will display.

```
Erasing ring 25
pattern 1 of 7 <>
```

After confirming your selection the erase function will begin. When the erase function is complete, the label of the erased ring will be “aaaaaa” because that was the last pattern written.

Erase Rings

This function is identical to the Erase ring function, except it will erase a sequential range of rings. You will be asked for a beginning ring and the number of rings to be erased.

1. Press the **SELECT** button until the **Erase rings** function is displayed on the Ring utilities menu.
2. Press **ENTER** to select this option.
3. Use the **SELECT** button to scroll through the erase from ring selections until you see the desired beginning ring, then press the **ENTER** button.
4. Use the **SELECT** button to scroll through the number of rings selections until you see the desired number of rings to be erased, then press the **ENTER** button. The value will default to the number of rings between the current ring and the end of the drive you are currently on.

▲ CAUTION:

Remember to count the first ring as one of the rings to be erased. So, to erase rings 25 through 30 will be a total of six rings—not five.

You will see a display similar to this:

```
Erase 06 rings
(25) label No
```

5. Press the **SELECT** button to change **No** to **Yes** and press the **ENTER** button to start the erase process.

A display similar to the one in the **Erase ring** function above will display the progress of the **Erase rings** function and the current pattern.

**FIXED DISK UTILITIES
SUBMENU**

This function shows disk information; verifies, and formats the fixed disk, and spins the disk down or up.

1. Press the **ENTER** button when the **Fixed disk utilities** function is displayed on the Utilities submenu.

The Fixed disk utilities submenu then appears displaying the following functions:

Show DISK information
Spin down/up disk
Verify disk
Format disk
Erase disk
Previous menu

2. Press the **SELECT** button to scroll through the information or functions.
3. You can return to the **Utilities** menu by pressing the **ENTER** button when you see Previous menu.

**Show DISK
Information**

This function displays information similar to the following list about the fixed disk.

Number of rings
Ring capacity
Ring size (cylinders)
Ring cylinder size (tracks)
Ring track size in sectors
Total sectors in ring
Total capacity of drive (kbytes)
Logical sector size
Physical sector size
Interleave
Date disk last formatted*
Date disk last written*
Date disk last accessed*

* only if disk is formatted.

1. Press the **ENTER** button to scroll through each field.

Spin Down / Up Disk

This function will spin the fixed disk drive down or up. Using this function will help prevent wear on a drive which is constantly powered on.

1. Press the **ENTER** button to execute this function.

If the drive is already spun down, you will see the following message:

**Spin up
disk**

2. Press the **ENTER** button to spin the drive up.

The drive will spin up at the first sign of activity on the HP-IB bus, or when the LCD front panel controls access the drive.

▲ **CAUTION:**

If the computer system attempts to access the OptiPac while it is spun down, the drive will automatically spin up, but the computer system may time-out before the drive is ready, causing a system error.

Verify Disk

This function scans every sector on the fixed disk for defects. If a bad sector is found, this function will terminate with the LCD showing the error.

1. Press the **ENTER** button to start.

As the verification progresses, the record address is updated. The following message will appear:

```
Verify DISK
record n
```

2. To abort the function at any time, press and hold both the **SELECT** and **ENTER** buttons simultaneously until the following message appears:

```
Abort received.
wait ...
```

3. Release the buttons.

The function will abort at the appropriate time and you'll see:

```
User abort
```

4. Press the **ENTER** button to exit.

When you've exited the function, the following message will appear:

```
n complete
verifies done
```

5. Press the **ENTER** button to return to the Fixed disk utilities submenu.

Format Disk

This function is used to format the fixed disk if the **FORMAT** utility is not available in your host system.

▲ **CAUTION:**

The Format Disk function will erase all data on the fixed disk.

1. Press the **ENTER** button when the **Format disk** function is displayed on the Fixed disk utilities submenu.

The Format disk submenu then appears displaying the following message:

```
Erase entire
media? NO
```


2. Press the **SELECT** button to toggle between **YES** and **NO**.
3. Select **YES** and press the **ENTER** button to continue.

The following message will appear:

```
Set interleave
to 1
```

4. Use the **SELECT** button to select button to scroll through the options (I-10), choose one and press the **ENTER** button to start the format process.

The following message will appear:

```
1 vols    256 bps
continue?    No
```

If you choose **No** the **FORMAT** option will quit and you'll be returned to the Removable disk utilities menu.

5. Use the **SELECT** button to select **Yes** and press the **ENTER** button to start the format process.

The following message will appear:

```
Formatting
DISK
```

Formatting will take up to 1 hour. When the process is complete, the following message will appear:

```
DISK
formatted
```

6. Press the **ENTER** button to return to the Fixed disk utilities submenu.

Erase Disk

This function will erase the entire fixed disk by performing a DOD wipe delete. This wiping of data is done by first filling the sectors with the hexadecimal characters FF and 00 three times, then to write the hexadecimal character F6 once. This method prevents any traces of data from being read, even with sophisticated techniques.

▲ CAUTION:

The erased fixed disk will be unreadable and must be formatted again to be usable.

1. Press the **ENTER** button when the **Erase disk** function is displayed on the fixed disk utilities submenu.

The Erase disk submenu will appear and ask:

```
Erase entire
media? NO
```

2. Use the **SELECT** button to select **YES** and press the **ENTER** button to continue.

Upon successful completion, the following message will appear:

DISK
erased

3. Press the **ENTER** button to return to the **Fixed disk utilities** submenu.

**REMOVABLE DISK
UTILITIES SUBMENU**

This function shows cartridge information; locks and unlocks, verifies, and formats the cartridge, one side at a time.

1. Press the **ENTER** button when the **Removable disk utilities** function is displayed on the Utilities submenu.

The Removable disk utilities submenu then appears displaying the following functions:

Show CARTRIDGE information
Unload cartridge
Verify cartridge
Format cartridge
Erase cartridge
Previous menu

2. Press the **SELECT** button to scroll through the information or functions.
3. You can return to the **Utilities** menu by pressing the **ENTER** button when you see Previous menu.

**Show CARTRIDGE
Information**

This function displays information similar to the following list about one side of the cartridge.

Number of rings
Ring capacity
Ring size (cylinders)
Ring cylinder size (tracks)
Ring track size in sectors
Sectors in ring
Total capacity of drive (kbytes)
Logical sector size
Physical sector size
Interleave
Date cartridge last formatted*
Date cartridge last written*
Date cartridge last accessed*

* Not displayed for unformatted cartridges.

1. Press the **ENTER** button to scroll through each field.

Unload Cartridge

This is the same as **Unload cartridge** in the Main menu.

Verify Cartridge

This function scans every sector on one side of the cartridge for defects. If a bad sector is found, this function will terminate with the LCD showing the error.

1. Press the **ENTER** button to start.

As the verification progresses, the record address is updated. The following message will appear:

```
Verify CARTRIDGE
record n
```

2. To abort the function at any time, press and hold both the **SELECT** and **ENTER** buttons simultaneously until the following message appears:

```
Abort received.
wait ...
```

3. Release the buttons.

The function will abort at the appropriate time and you'll see:

```
User abort
```

4. Press the **ENTER** button to exit.

When you've exited the function, the following message will appear:

```
n complete
verifies done
```

5. Press the **ENTER** button to return to the Removable disk utilities submenu.

Format Cartridge

All new cartridges must be formatted with this utility before using on the computer system. This function is used to format one side of the cartridge if the **FORMAT** utility is not available in your host system.

1. Press the **ENTER** button when the **Format cartridge** function is displayed on the Removable disk utilities submenu.

The Format cartridge submenu then appears displaying the following message:

```
Erase entire
media? NO
```

2. Press the **SELECT** button to toggle between **YES** and **NO**.
3. Select **YES** and press the **ENTER** button to continue.

The following message will appear showing the number of volumes (**vol**s) and the sector size (**bps** = bytes per sector):

```
1 vol 256 bps
continue? NO
```

4. Use the **SELECT** button to select **YES** and press the **ENTER** button to start the format process.

The following message will appear:

**Formatting
CARTRIDGE**

Formatting will take up to 1 hour. When the process is complete, the following message will appear:

**CARTRIDGE
formatted**

5. Press the **ENTER** button to return to the Removable disk utilities submenu.

Erase Cartridge

This function will erase the entire side of a cartridge by performing a DOD wipe delete. This wiping of data is done by first filling the sectors with the hexadecimal characters FF and 00 three times, then to write the hexadecimal character F6 once. This method prevents any traces of data from being read, even with sophisticated techniques.

▲ CAUTION:

The erased side of the cartridge will be unreadable and must be formatted again to be usable.

1. Press the **ENTER** button when the **Erase cartridge** function is displayed on the Removable disk utilities submenu.

The Erase cartridge submenu will appear and ask:

**Erase entire
media? NO**

2. Use the **SELECT** button to select **YES** and press the **ENTER** button to continue.

Upon successful completion, the following message will appear:

**CARTRIDGE
erased**

3. Press the **ENTER** button to return to the **Removable disk utilities** submenu.

TESTS SUBMENU

This function shows statistics, tests the LCD, and certifies media.

1. Press the **ENTER** button when the **Tests** function is displayed on the Utilities submenu.

The Tests submenu will appear displaying the following functions:

Test LCD display
Certify media
Verify media
Show command trace

2. Press the **SELECT** button to scroll through the information or functions.
3. To return to the Utilities menu, press the **ENTER** button when you see **Previous menu**.

Test LCD Display

This function is used to make sure the LCD is working properly.

1. Press the **ENTER** button to start the test.

All of the dots on the LCD will be turned on. If there are any missing dots (except the last character with an *), call the Bering Technical Support Department for a replacement.

2. Press the **ENTER** button again to exit.

Certify Media

This function will first write test patterns on the entire cartridge or fixed disk and then executes the **Verify media** function.

1. Press the **ENTER** button when the **Certify media** function is displayed on the Tests submenu.

The Certify media submenu will appear:

**Erase entire
media? NO**

2. Press the **SELECT** button to select **YES**, then press the **ENTER** button to start this function.

The following message will appear:

**Verify media until
abort? NO**

3. Press the **SELECT** button to toggle between **YES** and **NO**. For multiple verify passes, select **YES** and press the **ENTER** button. Otherwise, select **NO** for a single verify pass and press the **ENTER** button to start.

The record address will advance while the test pattern is written on one side of the cartridge and the following message will appear:

Write CARTRIDGE
record *n*

The verify pass will begin when the test patterns have been written and the following message will appear:

Verify CARTRIDGE
record *n*

If a bad sector is found, this function will terminate with the LCD showing the error.

4. To abort the function at any time, press both the **SELECT** and **ENTER** buttons simultaneously and hold them until you see

Abort received.
wait ...

Unless a bad sector is found, you will have to abort manually if you selected multiple verification passes above.

5. Release the buttons.

The function will abort and the following message will appear:

User abort

6. Press the **ENTER** button to exit.

When you've exited the function, you'll see:

n complete
verifies done

7. Press the **ENTER** button to return to the Tests submenu.

Verify Media

This function is similar to the **Verify cartridge** function in the Removable disk utilities menu, except **Verify media** processes indefinitely unless an error is found. Usually the process must be aborted by the user.

1. Press the **ENTER** button when the **Verify media** function is displayed on the Tests submenu.

The **Verify media** submenu will appear with this message:

Verify media until
abort? No

2. Press the **SELECT** button to toggle between **YES** and **NO**. For multiple verify passes, select **YES** and press the **ENTER** button. Otherwise, select **NO** for a single verify pass and press the **ENTER** button to start.

For subsystems with multiple drives you'll be asked whether you want to

Test all drives?**No**

If you choose **Yes** the verification will begin immediately. If you choose **No**, you will need to select the drive(s) you do want tested:

For models with a fixed disk:

Test fixed disk? No**Test cartridge disk? No**

- a. Use the **SELECT** button to choose **Yes** for the drive(s) you want to test and press the **ENTER** button to begin the test procedure.

The record address is updated on the display as the verification progresses. The following message will appear:

Verify CARTRIDGE
record n

Note:

If a bad sector is found, this function will terminate with the LCD showing the error.

The messages will include **DISK** rather than **CARTRIDGE** when you are verifying a fixed disk.

If you chose a single verification pass, you will be prompted when the process is complete, at that time jump to step 3.

If you chose multiple verification passes in step 2, you must stop the process yourself.

- a. To abort the function at any time, press both the **SELECT** and **ENTER** buttons simultaneously and hold them until you see:

Abort received.
wait ...

- b. Release the buttons.

The function will abort at the appropriate time and you will see **User abort**. It may take some time to stop the process and the display may resume showing the records being verified while it finds a stopping place.

- c. Press the **ENTER** button to exit.

Upon successful completion, you will be notified:

n complete
verifies done

3. Press the **ENTER** button to return to the Tests submenu.

Show Command
Trace

This function is for troubleshooting purposes by Technical support personnel. It displays the last sequence of commands sent to the drive.

CARING FOR THE DISK DRIVE & CARTRIDGE

This chapter describes how to care for your OptiPac and cartridges. It is divided into two sections. The “General Safeguards” section tells you what to look out for. The “Cartridge Care” section explains how to handle removable cartridges. The “Preventive Maintenance” section will explain user maintenance procedures. As long as you protect your OptiPac from hazards, it will provide you with years of service.

General Safeguards

To protect the OptiPac:

- To avoid overheating, place it where the air can circulate around it. Be particularly careful to avoid blocking the cooling vent at the rear of the unit.
- Make sure it is plugged into a grounded (three-hole) electrical outlet. Verify that the outlet actually is grounded — that the third prong really is connected to a ground. The OptiPac should be on the same circuit as your computer.
- Make sure that other equipment or appliances which might generate electrical noise or a power surge (such as electric typewriters or heaters) are on separate circuits.
- Do not expose your OptiPac to extreme heat or cold. Prolonged exposure to excessive heat, direct sunlight, or freezing conditions will harm the drive.
- Keep it away from moisture, dirt, and contaminants such as spilled liquids, steam, or excessive dust. Do not smoke near the OptiPac.
- Do not apply cleaners or lubricants to any part of the drive.
- Avoid exposure to magnetic fields such as those emitted by magnets, telephones, televisions, speakers, or large electric motors.
- Never bump the OptiPac when it's running.
- Always set the OptiPac upright on a flat surface.

▲ CAUTION:

Never transport the OptiPac with a cartridge in the drive. This could damage the media.

You don't need to worry about leaving the OptiPac on for a long time — it doesn't use much power. It's normal for the drive to feel warm (but not hot) after it's been running for a while.

If the OptiPac does get hot, make sure the fan is running properly, the vent at the rear is not blocked, and that the unit is placed where air can circulate around it.

Cartridge Care

Removable cartridges are highly reliable and have a very long service life if you care for them properly.

- Store them properly. Remove the cartridge from the drive when you are not using it and store it in its protective case in a cool, dry, safe location.
- Do not leave the cartridge in the OptiPac after it is powered down. This leaves the cartridge shutter open and makes the recording media itself vulnerable to dust.
- Do not turn the computer off to remove the cartridge. This will not eject the cartridge. If the power is turned off, wait at least 60 seconds before removing the cartridge. See “Unloading a Cartridge” in Chapter 3 for more details.
- Keep your cartridges clean and dry and out of harm's way. Protect cartridges from dirt, spills, and smoke. Avoid handling the shutter edge of the cartridge since oil and dirt from your hands may be transferred to the disk media or to the inside of the drive.
- Do not open the cartridge access shutter. Minute particles such as smoke, pollen, or dust can contaminate the disk surface and damage the cartridge.
- Do not disassemble the cartridge.
- Use them at the correct temperature. Avoid using cartridges at temperatures above 104° F (40° C) or below 41° F(5° C). To avoid permanently damaging data, the drive, cartridge, and room should all be about the same temperature within the above operating range when you insert the cartridge into the drive.
- Do not move the drive with a cartridge loaded.
- Do not drop the cartridge. Sudden jolts may damage the media and/or cause the loss of data.
- Label each side of the cartridge clearly and make sure the label is securely attached before loading the cartridge. Do not mark on labels with a graphite pencil. The graphite dust from the pencil may contaminate the disk surface.
- Do not use defective or questionable cartridges on another drive. You may spread the problem.

Preventive Maintenance

Bering subsystems will provide extended and reliable service as long as the drives are properly maintained. The Bering OptiPac subsystems require no preventive maintenance. If you have any questions concerning the proper preventive maintenance procedures please contact Bering Customer Support.

TROUBLESHOOTING & SERVICE

This chapter describes basic trouble-shooting procedures. It is divided into four sections: “Before You Do Anything Else,” “Error Codes and LCD Messages,” “Fuse Replacement,” and “If You’re Still Having Problems.”

Before You Do Anything Else

Often, problems you're having can be resolved by verifying that:

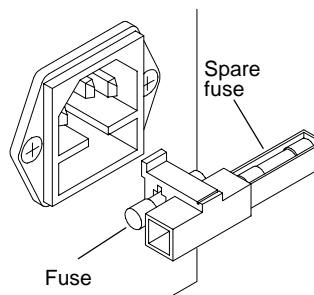
- The power cord is securely connected to the OptiPac and a wall outlet.
- The power is switched on, and the AC fuse in the back of the drive is not blown.
- None of the pins on the cable connectors are loose, broken, or shorted.
- All cables are installed correctly.
- At least one side of the cartridge has been properly formatted.
- Each peripheral connected to your computer has a unique address.

Error Codes and LCD Messages

Occasionally, after installing an OptiPac, the system will display a disk initialization error code upon start up. It is sometimes possible to solve the problem by following the LCD instructions. Sometimes the LCD will display an error code in the form of a number. This error code indicates a problem that may be associated with another hardware device other than the OptiPac. If this occurs, shut down your system and restart it again. If the problem still occurs, contact Bering Technical Support at (408) 364-6500.

Fuse Replacement

If the drive fails to power on the AC fuse may be blown. The fuse is located in the AC input jack.



6-1: Replacing the AC fuse

If You're Still Having Problems

If you are able to start up from the floppy but not the OptiPac, the system files on the OptiPac may be damaged.

START-UP PROBLEMS

If you're unable to start up from an OptiPac, try starting up the computer with a floppy disk. If you're still unable to start up, the problem is with the computer rather than the OptiPac. Refer to the troubleshooting section in your computer manual for more information.

WHEN ALL ELSE FAILS...

If you still have problems after following the procedures in this chapter, call Bering Technical Support at (408) 364-6500. When you call, be ready to tell the service representative:

- The model number and serial number of the OptiPac, the firmware version of the OptiPac, the type of computer you're using, the operating system, and the software version.
- Any error messages that have appeared.
- A description of the problem(s) and the steps you've taken to correct it.
- Any recent changes to your system, such as new software installed, software upgrades, new hardware, even a new brands of cartridge.

Bering Customer Service can be reached by several methods. The mailing/shipping address and phone numbers are:

Bering Technology, Inc.
Customer Service/Technical Support
1717 Dell Avenue
Campbell, CA 95008

(408) 364-6500
FAX: (408) 374-8309
EMail: help@bering.com

▲ CAUTION:

Never remove the cover of the OptiPac box. This voids the warranty.

SPECIFICATIONS

2.6GB Cartridge Disk

2.6GB MO Cartridge

The specifications listed in the table are for a single side of a 2.6GB cartridge. This is based on a cartridge with physical sector size of 1024 bytes. The cartridge must be flipped over to use the opposite side. See the following page for 650MB and 1.3GB cartridge specifications.

PERFORMANCE

Rings	99	
Ring capacity	10.1	MB
Rotation speed	3,600	rpm
Average latency	12.5	ms
Minimum seek time	2	ms
Average seek time	23.5	ms
Maximum seek time	45	ms
MTBF	100,000	Power on Hours (60% Confidence Level)

ENVIRONMENTAL (operational)

Temperature	5° to 40°	C
	41° to 104°	F
Temperature gradient	10°	C/hour
Relative humidity	10 to 90	% non-condensing
Vibration	0.5	G rms
Shock	30	G, 3 ms half sine
Altitude	-305 to 4,572	meters
	-1,000 to 15,000	feet

(non-operating)

Temperature	-30° to 60°	C
	-22° to 140°	F
Relative Humidity	5 to 90	% non-condensing
Vibration	3	G rms random
	1	G 0-peak
Shock	89	G, 3 ms half sine no damage
Altitude	-305 to 12,192	meters
	-1,000 to 40,000	feet

LASER DIODE

Type	Semiconductor Laser
Wavelength	685nm, Continuous
Output power	30mW (max)
Classification	Class 1 (IEC. 825) GaAlnP

**1.3GB, 1024bps MO
Cartridge**

The following table contains the specifications for a single side of a 1.3GB cartridge when inserted in the OptiPac drive. This is based on a cartridge with physical sector size of 1024 bytes. To use the opposite side of the cartridge it must be ejected, flipped over, and reinserted into the OptiPac.

Rings	64	
Ring capacity	10.1	MB

**1.2GB, 512bps MO
Cartridge**

The following table contains the specifications for a single side of a 1.2GB cartridge when inserted in the OptiPac drive. This is based on a cartridge with physical sector size of 512 bytes. To use the opposite side of the cartridge it must be ejected, flipped over, and reinserted into the OptiPac.

Rings	58	
Ring capacity	10.1	MB

Note:

The OptiPac cannot write to 650MB cartridges. Inserting a 650MB cartridge into the OptiPac will cause the cartridge drive to enter a read-only mode.

**650MB, 1024bps MO
Cartridge**

This table contains the specifications for a single side of a 650MB cartridge when inserted in the OptiPac drive. This is based on a cartridge with physical sector size of 1024 bytes. To use the opposite side of the cartridge it must be ejected, flipped over, and reinserted into the OptiPac.

The OptiPac 7619F cannot write to a 650MB cartridge, it can only read it.

Rings	32	
Ring capacity	10.1	MB

**650MB, 512bps MO
Cartridge**

The following table contains the specifications for a single side of a 650MB cartridge when inserted in the OptiPac drive. This is based on a cartridge with physical sector size of 512 bytes. To use the opposite side of the cartridge it must be ejected, flipped over, and reinserted into the OptiPac.

The OptiPac 7619F cannot write to a 650MB cartridge, it can only read it.

Rings	29	
Ring capacity	10.1	MB

1 GB Fixed Disk

PERFORMANCE	Rings	99	
	Ring capacity	10.1	MB
	Rotation speed	4500	rpm
	Average latency	5.5	ms
	Minimum seek time	3	ms
	Average seek time	10	ms
	Maximum seek time	20	ms
	HP-IB burst transfer rate	1	MB/sec
	HP-IB average transfer rate	940	KB/sec
	SCSI average transfer rate	4.1	MB/sec
	SCSI maximum transfer rate	5	MB/sec (asynchronous)
		10	MB/sec (synchronous)
	MTBF	500,000	POH
ENVIRONMENTAL (operational)	Temperature	0° to 50°	C
		32° to 122°	F
	Temperature gradient	20	°C/hour
		36	°F/hour
	Relative humidity	8 to 85	% non-condensing
	Vibration	0.5	G, 5 to 500Hz sine
	Shock	10	G, 11 ms half sine pulse
	Altitude	-60 ~ 3,000	meters
		-200 ~ 10,000	feet
	(non-operating)	Temperature	-40° to 65°
		-40° to 149°	F
Relative Humidity		5 to 95	%
Vibration		2.0	G, 22 to 400 Hz sine
Shock		60	G, 11 ms half sine pulse
Altitude		-60 ~ 12,200	meters
	-200 ~ 40,000	feet	

General

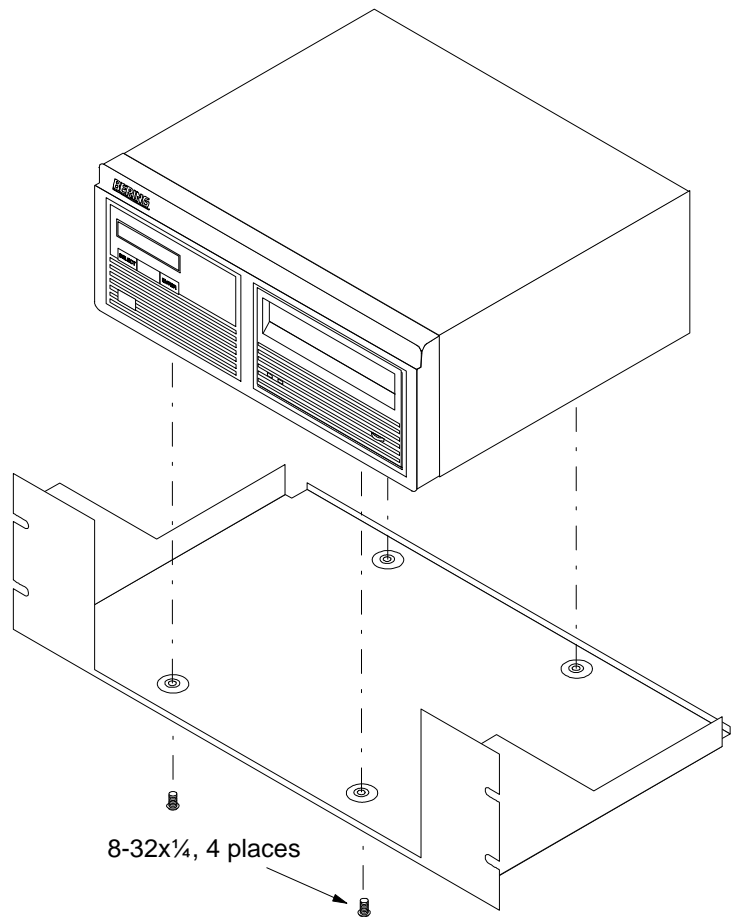
Power Requirements	Line voltage	96 - 240	volts
	Line frequency	47 - 63	Hz
	Current	0.5	Amps
	Fuse	"Slow blow" 1.6A, 250V	
General Dimensions	Interface	HP-IB, Amigo command set	
	Dimension	5" x 12.8" x 11" 12.7 x 32.5 x 27.9 cm	
	Shipping weight	30 lbs.	
		13.6 Kg	
Accessories	Cartridge, MO, 2.6GB, 1024bps	ACCS-3065	
	Cartridge, MO, 1.3GB, 1024bps	ACCS-3036	
	HP-IB Cable 1.0m (3.3 ft.)	ACCS-7110	
	HP-IB Cable 2.0m (6.7 ft.)	ACCS-7115	
	Rack Mount Kit - 19" EIA	ACCS-7204	

RACK MOUNT

Installation

If you purchased the rack mount kit, ACCS-7204 from Bering, these instructions will show the installation procedures. It fits in a standard 19" rack cabinet.

1. Remove the front feet from the Bering drive by removing two screws in each foot. Each foot can be turned around, front to rear, and reinstalled.
2. Mount the Bering drive to the rack mount shelf with four (4) 8-32x $\frac{1}{4}$ screws inserted from the bottom through the shelf into the bottom of the drive.



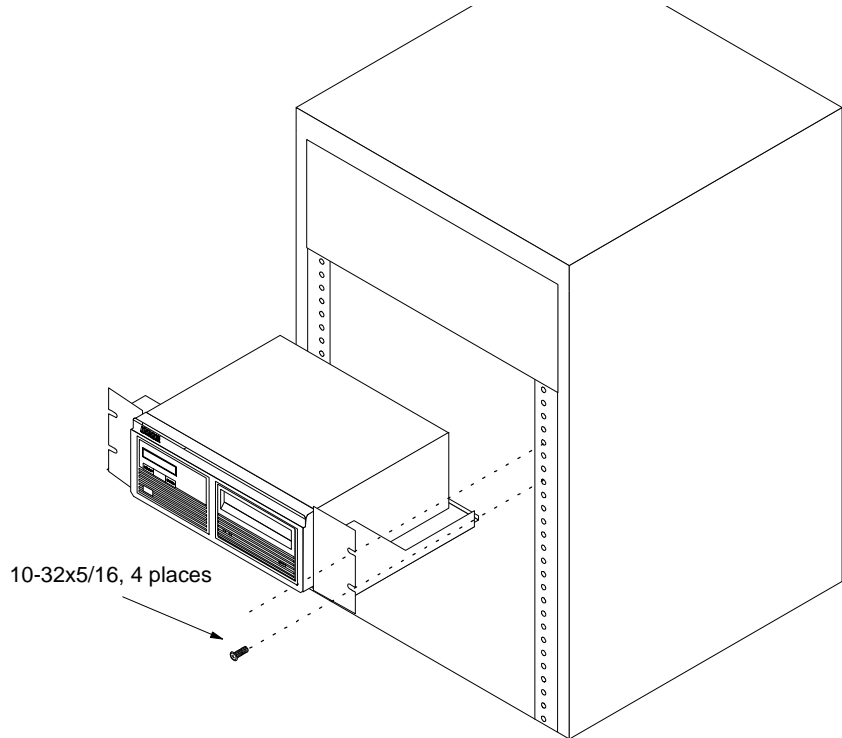
This step may be performed by turning the drive upside down and placing the shelf on the drive while aligning the screw holes.

▲ CAUTION

The following steps require two people to install the unit in a cabinet.

The rack requires 5.25 inches of vertical clearance.

3. Insert the shelf with the Bering drive into the cabinet and hold it in place.
4. Insert the four (4) 10-32x5/16 screws from the front through the holes in the cabinet. Screw the 10-32 nuts on the screws from the rear of the cabinet and tighten.



INDEX

A

Accessories 40
Activity LED 7

B

Backup rings 20

C

Cartridge
 Care 34
 Erase 29
 Format 28
 Loading 8
 Manual eject 9
 Show information 27
 Unload 13, 27
 Unloading 9
 Verify 28
 Write protecting 10
Certify media 30
Change format switch 15
Change HP-IB Address 15
Change label 19
Change read burst 16
Change ring 13, 19
Change write burst 16
Clock, 12 / 24 setting 16
Command trace 32
Configurations submenu 15
Controls 7
Copy ring 20
Customer Service 36

D

Date
 Setting 17
Disk
 Format 24
 Show information 23
 Spin down 23
 Verify 24
Display Time and Messages 14
DOD wipe delete 22
Drive button 7

E

Eject button 7
Emergency cartridge eject 9
Emergency eject hole 7
Erase 22
Erase cartridge 29
Erase ring 22

F

FCC iii
Fixed disk access indicator 8
Format cartridge 28
Format disk 24
Fuse replacement 35

H

HP-IB
 Address 15

L

Label, change 19
LCD
 Backup rings 20
 Certify media 30
 Change format switch 15
 Change HP-IB Address 15
 Change label 19
 Change read burst 16
 Change ring 13, 19
 Change write burst 16
 Configurations submenu 15
 Copy ring 20
 Erase cartridge 29
 Erase ring 22
 Format cartridge 28
 Format disk 24
 Model number 18
 Removable disk utilities submenu 27
 Restore rings 21
 ROM version 18
 Set date 17
 Set time 16
 Show cartridge information 27
 Show command trace 32
 Show disk information 23

- Spin down / up disk 23
 - Spin down disk 14
 - Spin up disk 14
 - Test LCD display 30
 - Tests submenu 30
 - Unload Cartridge 13
 - Unload cartridge 27
 - Use 24 hour clock 16
 - Utilities submenu 18
 - Verify cartridge 28
 - Verify disk 24
 - Verify media 31
- LCD Menu 12
- LCD messages 35
- LCD, testing 30
- ## M
- Magneto-Optical technology 2
- Main menu 13
- Manual cartridge eject 9
- Menu, system 12
- Model number 18
- ## N
- New cartridges 13
- ## O
- Operation 7
- ## P
- Preventive maintenance 34
- ## R
- Rack mount installation 41
- Read burst 16
- Removable disk utilities submenu 27
- Ring
 - Backup 20
 - Erase 22
 - Restore 21
- ROM version 18
- ## S
- Set date 17
- Set time 16
- Show cartridge information 27
- Show command trace 32
- Show disk information 23
- Specifications
 - 1 GB Fixed disk 39
 - 1.3GB cartridge drive 37
 - General 40
 - Spin down / up disk 23
 - Spin down disk 14
 - Spin up disk 14
- ## T
- Table of Contents vii
- Technical Support 36
- Test LCD display 30
- Tests submenu 30
- Time
 - Setting 16
- ## U
- Unload Cartridge 13
- Unload cartridge 27
- Unpacking 4
- Utilities submenu 18
- ## V
- Verify cartridge 28
- Verify disk 24
- Verify media 31
- ## W
- Warranty statement v
- Write burst 16
- Write protection 10